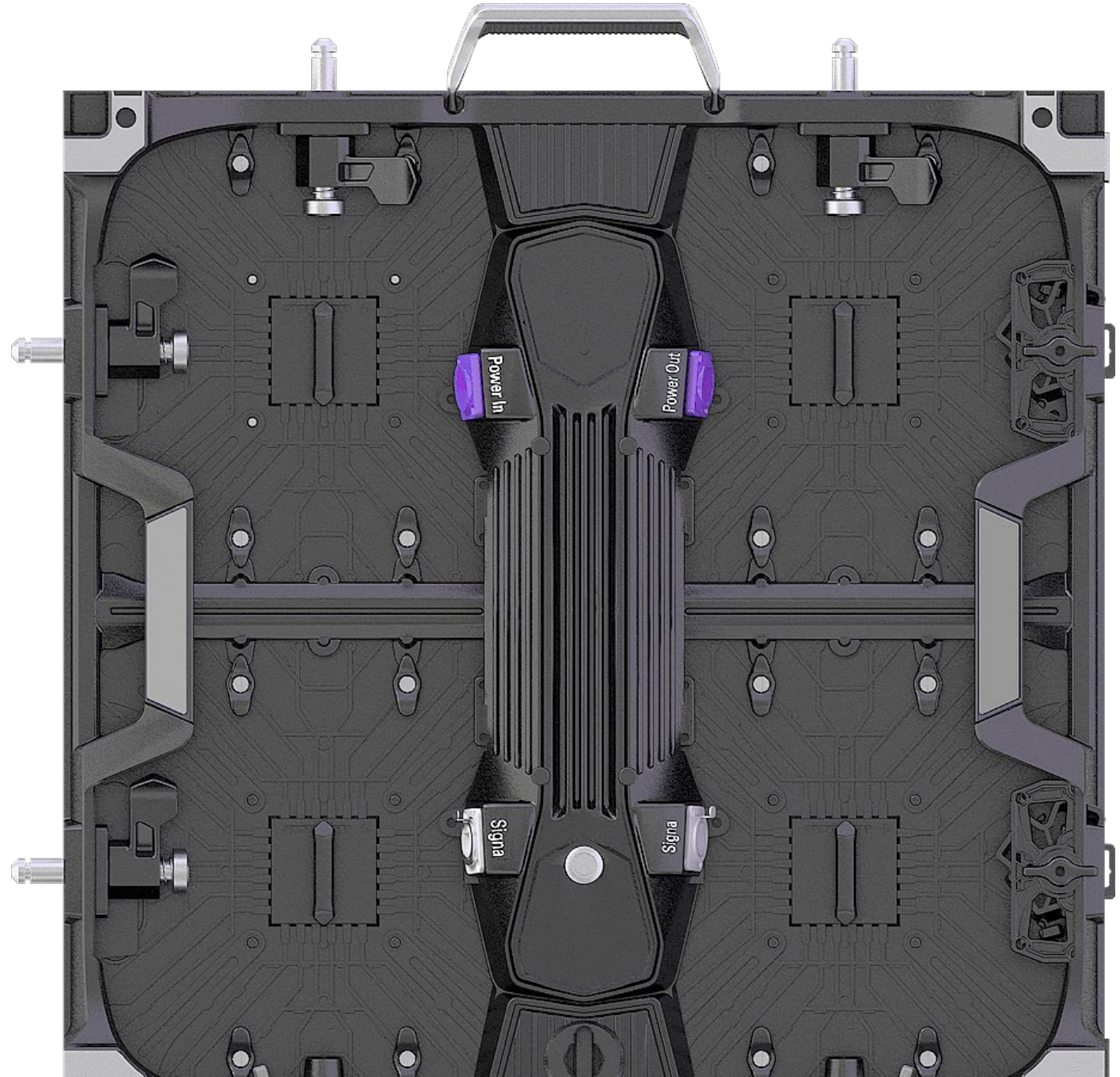


Neptune Outdoor

Impactrum

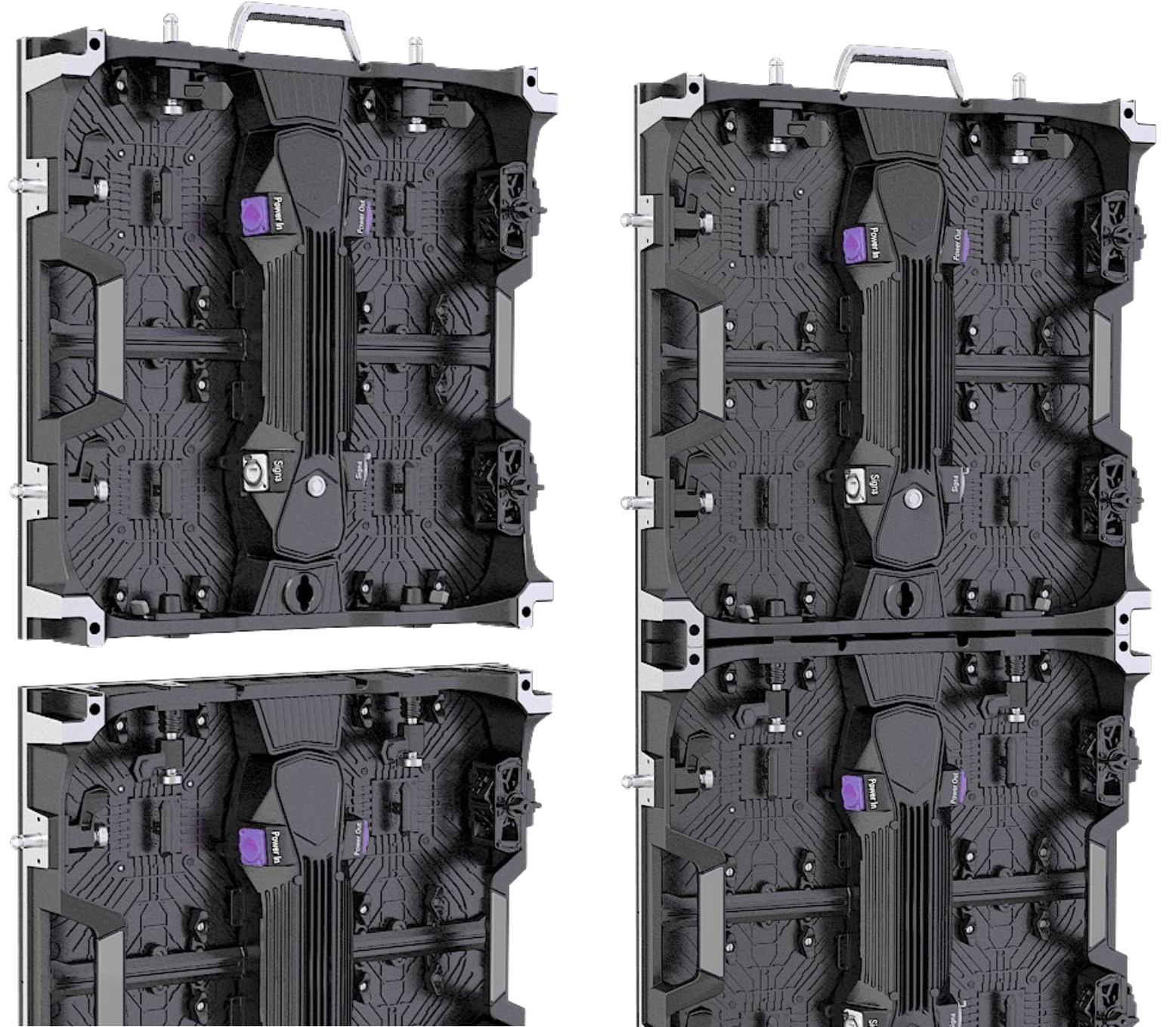
Optimized for long-term use.

Demonstrates consistent performance through numerous installations and dismantlings, thanks to its strong durability. It's a long-lasting, reliable LED screen.



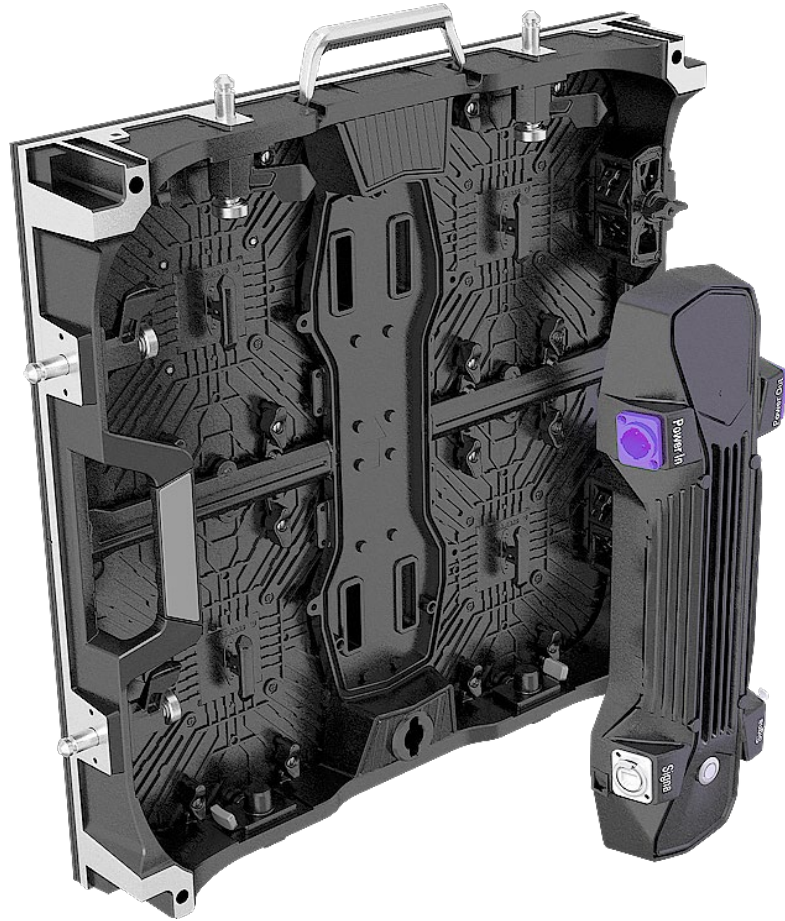
Powerful and fast connectors.

Connectors that ensure quick and secure connections between panels, facilitating easy installation and detachment while providing stable performance.



Modular type power box

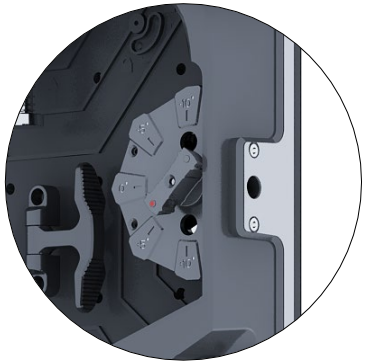
By adopting a modular approach, only 80 mm of space is required at the back to enable front maintenance.



Cover type power box
for conventional panels
(front maintenance not possible).

Curved connectors available.

Curved connectors that can be adjusted by 5° increments make curved installations effortless.



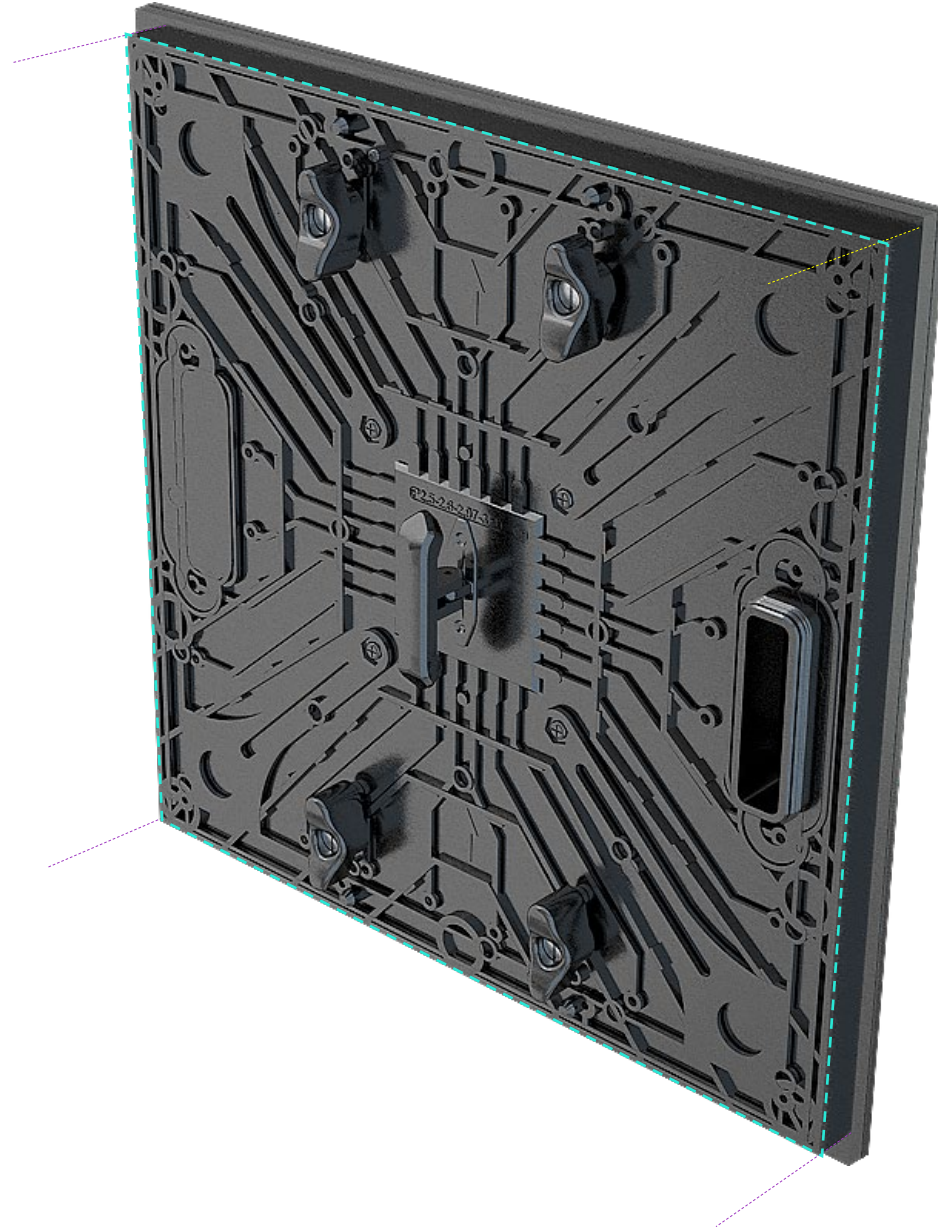
-10° -5° 0 5° 5°

Adjustable in five different angles.



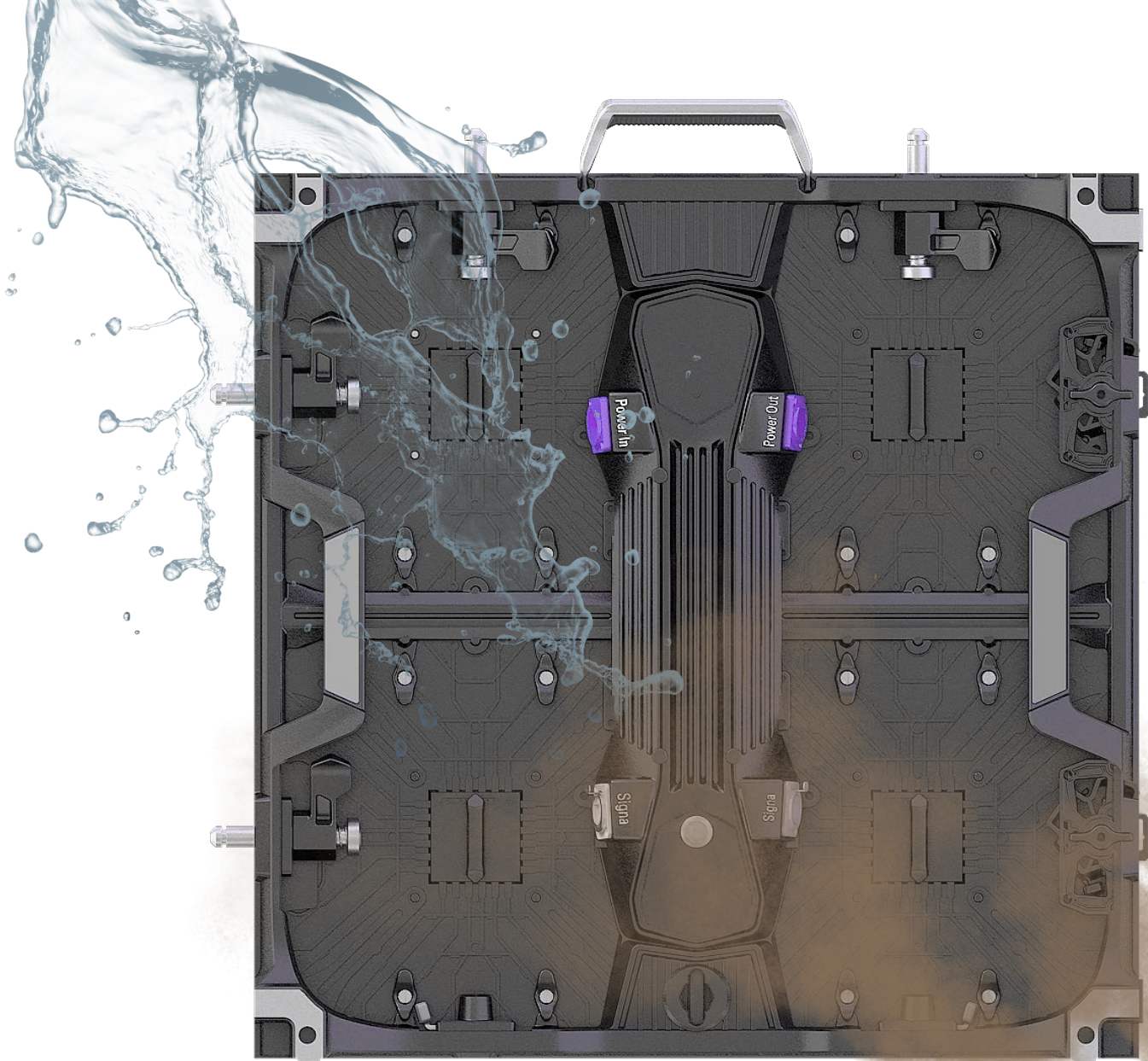
Precision inserts

The module undergoes a precise injection process, designed so that the insert lines accurately interlock at the optimal positions, ensuring superior flatness and minimal discrepancies.



Flawless in outdoor environments.

Constructed to
IP65 rating, eliminating
worries about outdoor use.



Neptune Outdoor Specification.

Product	Neptune Outdoor p2.9	Neptune Outdoor p3.9	Neptune Outdoor p4.8
Pixel Pitch	2.97619 mm	3.90625 mm	4.80769 mm
Brightness	4,000 nit	4,000 nit	3,800 nit
Module Size	250 x 250 mm	250 x 250 mm	250 x 250 mm
Panel Size	500 x 500 mm	500 x 500 mm	500 x 500 mm
Panel Resolution	168 x 168 px	128 x 128 px	104 x 104 px
Refresh Rate	3,840 Hz	3,840 Hz	3,840 Hz
Viewing Angle	H 160° V 160°	H 160° V 160°	H 160° V 160°
Weight	32 kg / sqm	32 kg / sqm	32 kg / sqm
Maintenance	Front* Rear	Front* Rear	Front* Rear
Power Consumption	Max. 800 Avg. 267 w / sqm	Max. 800 Avg. 267 w / sqm	Max. 800 Avg. 267 w / sqm
Life Span	70,000 hrs	70,000 hrs	70,000 hrs

* A space of 80mm at the back of the product is required for complete front maintenance. (space needed to remove the power box)

Headquarters · Factory

Gu-am industrial complex, 315,
Hyuam-ro 392beon-gil, Nam-myeon,
Yangju-si, Gyeonggi-do, Korea

+82 2 6339 3970
info@impactrum.com

Impactrum USA

17550 Gillette Ave, Irvine, CA 92614

+1 408 315 4829
cw@impactrum.com

+1 714 943 0110
peter@impactrumusa.com

Impactrum Japan

Eco Device
大阪府吹田市垂水町3-4-9

+81 6 6170 2950
Fax 06 6170 2957
junsuk@eco-device.com

Impactrum Thailand

455 Moo 10, Thaparak T Bangpla
A Bangplee Samutprakarn
10540 Thailand

+66 80 750 5016
pathos294007@gmail.com